



# HIGH SPIN HYGIENIC BARRIER WASHER

**FXB  
RANGE**

**FXB 180    FXB 240    FXB 280**

18KG    24KG    28KG  
40LB    55LB    70LB



## FEATURES

- Freestanding, high spin
- Complete stainless steel cabinet
- Xcontrol Plus - Fully programmable
- Stainless steel drum and tub
- Large drain valve (Ø 76 mm)
- Easy access to all important parts from all sides
- Large door opening for easy loading & unloading
- Automatic door positioning
- Easy Soap - liquid soaps connection
- External lubrication system
- Patented inner door lock

## OPTIONS

- USB & RS485 plug (on the side panel)
- Liquid soap pumps
- Water recovery option incl. second drain valve
- Steam heating version
- Water sample tap
- Trace-Tech® traceability software and networking system
- Second display
- Extra signalization (orange light or traffic light)



ERGONOMICAL CONSTRUCTION



LARGE DOOR OPENING



LOW WATER AND ENERGY CONSUMPTION

TRACE-TECH

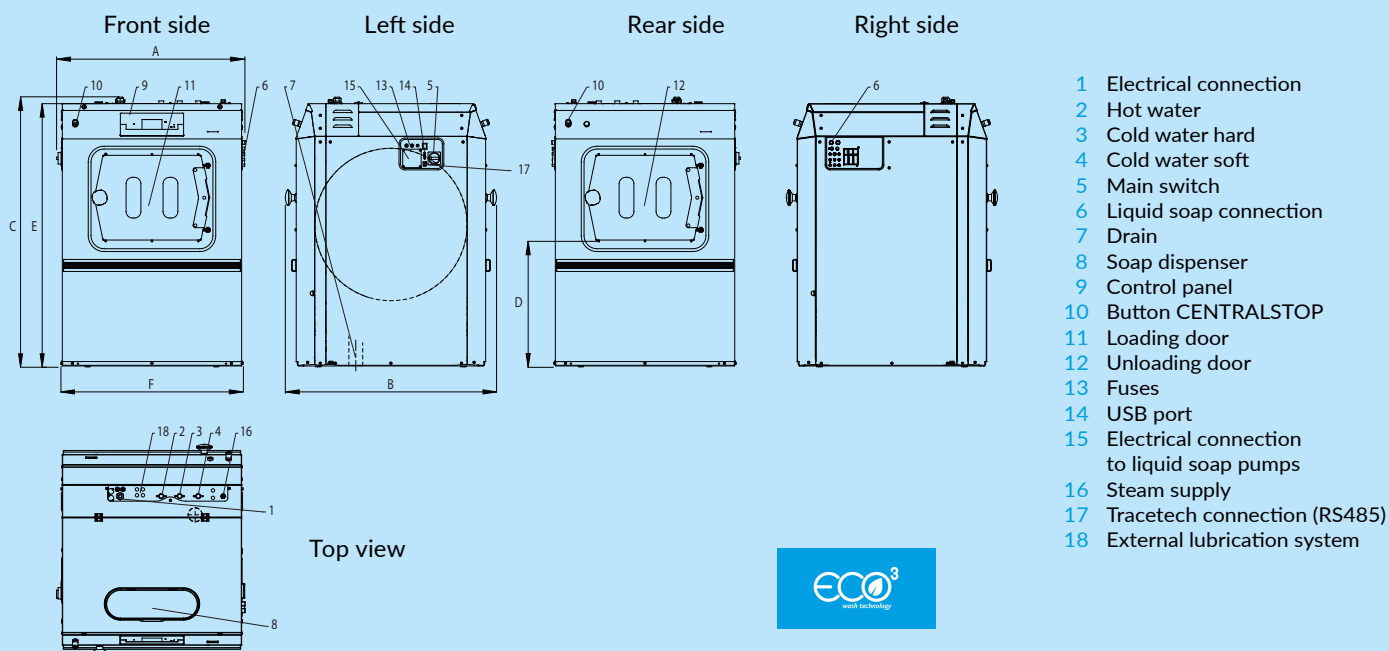
OPTILOAD

XCONTROL+

supereco  
washing programmes

**GET AHEAD** IN LAUNDRY

TYPE		FXB180	FXB240	FXB280
<b>CAPACITY</b>				
Drum capacity	kg/lb	18/40	24/55	28/65
Drum volume	l	180	240	280
Drum diameter	mm	Ø 750	Ø 750	Ø 750
Number of drums		1	1	1
Number of loading doors		1	1	1
Number of unloading doors		1	1	1
<b>DRUM SPEED</b>				
Washing speed	rpm	42	42	42
Highest spin speed	rpm	939	939	914
<b>G-FACTOR</b>				
		370	370	350
<b>PROGRAMMER</b>				
XControl Plus		standard	standard	standard
<b>CABINET</b>				
Stainless steel		standard	standard	standard
<b>HEATING</b>				
Electricity (standard)	kW	12/18	18	21,9
Steam	bar	3-8	3-8	3-8
<b>CONNECTIONS</b>				
Electrical		3x 200-240V 50/60Hz 3x 380-480V 50/60Hz		
Water inlet		3x DN20 3/4"		
Steam inlet		1x DN15 1/2"		
<b>DIMENSIONS</b>				
Size H×W×D	mm	1455×900×1145	1455×1020×1145	1455×1130×1145
Net weight	kg	430	460	490
<b>TRANSPORT DATA</b>				
Packed H×W×D	mm	1610×1010×1235	1610×1130×1235	1610×1240×1235
Gross weight	kg	485	515	550



#### DIMENSIONS

	A	B	C	D	E	F
FXB180	900	1145	1455	655	1423	850
FXB240	1020	1145	1455	675	1423	970
FXB280	1130	1145	1455	670	1423	1080
	width	depth	height			

#### DIMENSIONS DOOR DIMENSIONS

	height	width
FXB180	325	376
FXB240	325	496
FXB280	325	496

The Primus preserves the right to change the machines and the specification in this leaflet at any time, without prior notice. Details and photographs are only for information and never binding.

[www.primuslaundry.com](http://www.primuslaundry.com)

Primus by Alliance Laundry Systems

